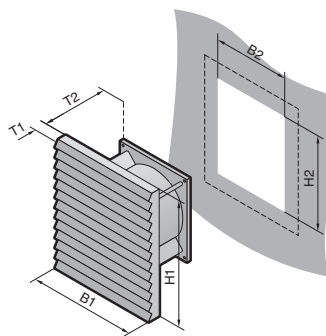


Fan-and-filter units

Air throughput 230 m³/h



B = Width
T = Depth

Supply includes:
Fan-and-filter unit ready for installation, including filter mats.

German registered design no.
M 93 04 846

Approvals,
see page 77.

Performance diagrams,
available on the Internet.

4.4

Fan-and-filter units

Model No. fan-and-filter unit SK	3325.107	3325.117	3325.027	3325.047 ¹⁾
Rated operating voltage V, Hz	230, 50/60	115, 50/60	24 (DC)	48 (DC)
Dimensions in mm	B1/H1	255		
	B2/H2	224 ²⁾		
	T1	12.5		
Max. installation depth mm	T2	105		
Air throughput, unimpeded air flow	230/265 m³/h		230 m³/h	
Air throughput with outlet filter including standard filter mat	1 x SK 3325.207: 170/205 m³/h 2 x SK 3325.207: 200/230 m³/h 1 x SK 3326.207: 190/215 m³/h			

Axial fan	self-starting shaded pole motor		DC motor	
Rated current max.	0.28 A 0.24 A	0.53 A 0.49 A	0.59 A	0.31 A
Power	41.0 W/38.0 W		14.0 W	15.0 W
Noise level	54/56 dB (A)		54 dB (A)	
Temperature range	-10°C to +55°C			
Colour	RAL 7035 ³⁾			
Protection category to EN 60 529/10.91	IP 54 standard IP 55 when using an additional fine filter mat IP 56 when using an additional fine filter mat and hose-proof hood			

Model No. outlet filter SK	3325.207					
Accessories	Packs of			Page		
Spare filter mats	5	3172.100		670		
Fine filter mats	5	3182.100		670		
Thermostat	1	3110.000		661		
Temperature indicator	1	3114.100	3114.115	3114.024	-	660
Speed control	1	3120.000	3120.115	-	-	662
Hose-proof hood	1	3324.800		666		

¹⁾ Delivery times available on request.

²⁾ For metal thickness > 2.5 mm, the cutout B2/H2 must be 1 mm larger.

³⁾ RAL 7032 on request.

Special voltages available on request. We reserve the right to make technical modifications.