

Thermoelectric coolers



Climate control accessories Page 369 Therm software Page 385

Material:

- Aluminium, anodised

Colour of cover:

- RAL 7024

Protection category IP to IEC 60 529:

- External circuit IP 34
- Internal circuit IP 54

Supply includes:

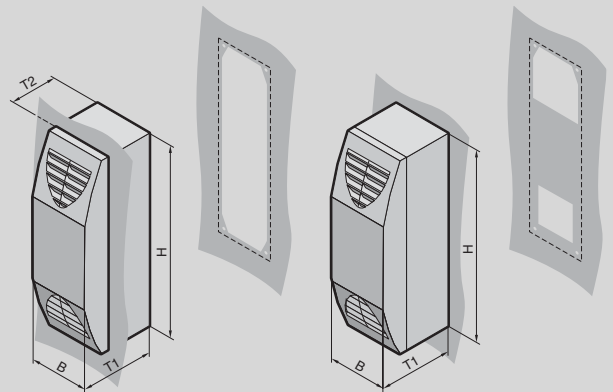
- Thermoelectric climate control unit
- Fully wired ready for connection (plug-in terminal strip)
- Mounting accessories
- Configuration software

Performance diagrams:

Available on the Internet

Technical details:

Available on the Internet



Total cooling output/heating output 100 W

Model No.	Packs of	3201.200	3201.300	Page
Rated operating voltage V, ~, Hz		100 - 240, 1~, 50/60	24 (DC)	
Total cooling output L35 L35 W		100 / 100	100	
Heating output W		100	100	
Width (B) mm		125	125	
Height (H) mm		400	400	
Depth (T1) mm		155	155	
Installation depth (T2) mm		100	100	
Start-up current A		6.4	4.5	
Rated current max. A		1.9	4.5	
Pre-fuse A		4	10	
Operating temperature range		-30°C...+55°C	-30°C...+60°C	
Refrigeration factor/COP		1	1.2	
Power pack integrated		■	-	
Air throughput of fans (unimpeded air flow), internal circuit / external circuit m³/h		50 / 50	50 / 50	
Weight kg		3.0	2.4	
Accessories				
Spare filter mats	5 pc(s).	3201.050	3201.050	371
SK BUS system	1 pc(s).	3201.070	3201.070	382
Condensate hose	1 pc(s).	3301.606	3301.606	377