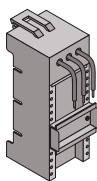
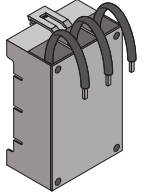


Mini-PLS component adaptor

40 A/100 A (3-pole)

Design								
Rated current up to	Packs of	40 A	40 A	40 A	40 A	100 A	Page	
Rated operating voltage		690 V~	690 V~	690 V~	690 V~	690 V~		
Connection cables ¹⁾		AWG 10	AWG 10	AWG 10	AWG 10	35 mm ²		
Support rails	Qty.	1	1	1	1	–		
	Height mm	7.5	15	7.5	15	–		
Width mm		54	54	72	72	90		
Height mm		160	160	160	160	160		
Model No. SV	1	9616.000	9617.000	9627.000	9628.000	9629.000		
Accessories								
Insert strip		2	9623.000	9623.000	9623.000	9623.000	–	318
Support rails	Height 7.5 mm	Width 54 mm	10	3548.000	3548.000	–	–	318
		Width 72 mm	10	–	–	3549.000	3549.000	–
	Height 15 mm	Width 72 mm	5	–	–	–	–	9320.120

¹⁾ AWG = American Wire Gauges
AWG 10 = 5.26 mm² ± 6 mm²

Allocation of switchgear – Mini-PLS component adaptors 12 A/25 A

Make/model	Model No. SV
ABB	
MS116	9614.100
MS325	9614.000
MS450 (max. 25 A)	9614.000
MS451 (max. 25 A)	9614.000
Eaton	
PKZM0 (up to 25 A)	9614.100
PKZM01 (up to 25 A)	9614.100
PKZM4 (up to 25 A)	9614.000
PKE12	9614.100
PKE32 (up to 25 A)	9614.100
PKE65 (up to 25 A)	9614.000
Schneider Electric	
GV2-P (up to 25 A)	9614.100
GV2-RT	9614.100
GV2-LE10	9614.100
GV3 (up to 25 A)	9614.100

Make/model	Model No. SV
Siemens	
S0	
3RV10 21...	9614.100
3RV20 21... (up to 25 A)	9614.100
S00	
3RV10 11...	9614.100 ¹⁾
3RV20 11...	9614.100 ¹⁾
S2	
3RV10 31... (up to 25 A)	9614.000

¹⁾ Support rail must be offset

Allocation of switchgear – Mini-PLS component adaptors 40 A/100 A

Make/model	Model No. SV	Accessories Model No. SV
ABB		
MS450 (max. 40 A)	9617.000	–
MS451 (max. 40 A)	9629.000	9320.120
MS495	9629.000	9320.120
MS496	9629.000	9320.120
MS497	9629.000	9320.120
Tmax		
T1	9629.000	–
T2	9629.000	–
Eaton		
NZM 1	9629.000	–
PKZ2	9627.000	–
PKZM4 (max. 40 A)	9617.000	–
PKZM4	9629.000	9320.120

Make/model	Model No. SV	Accessories Model No. SV
Schneider Electric		
NS 80	9629.000	–
GV3 (max. 40 A)	9616.000	–
GV3	9629.000	9320.120
Siemens		
S2		
3RV10 31... (max. 40 A)	9616.000	–
3RV10 31...	9629.000	9320.120
S3		
3RV1341/42	9629.000	9320.120