

Interior installation

System lights



Compact light

Slimmer – Faster – Brighter

- Slimmer: Around 50% less height and depth and therefore around 75% less volume than conventional lights
- Faster: Universal fast attachment via clips, screws, or powerful magnets (optional). Simply slide in at the side or rear, fit the light, and it's done!
- Brighter: Up to 75% greater luminous efficiency from the lamp with the same power helps to cut electricity costs
- Door-operated switch can also be connected via a 2-pole connection

Colour:

- Similar to RAL 7035

Protection category IP to IEC 60 529:

- IP 20

Supply includes:

- Compact light with clip and screw mounting kits, including assembly parts

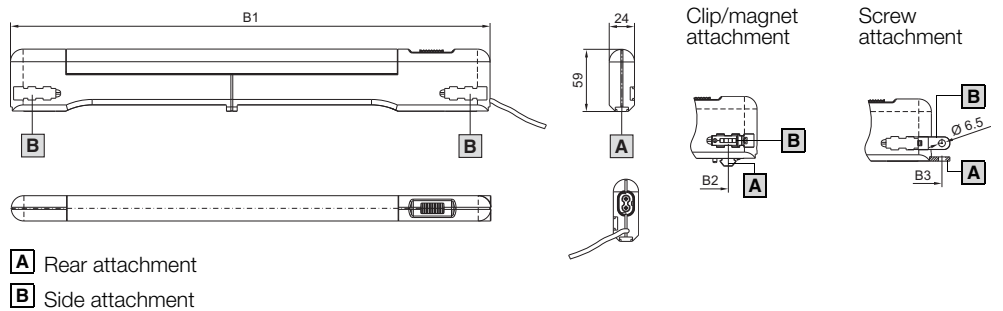


Accessories:

- Mounting kit magnet, see page 636
- Door-operated switch with connection cable, see page 639

Model No.	ENEC 24 cURus	4140.010 –	– 4140.210 ¹⁾	4140.020 –	– 4140.220 ¹⁾	4140.110 –	4140.120 –
Rated voltage	100 – 240 V ±10 % at 50 – 60 Hz					24 V (DC) ±10 %	
Wattage	8		14		8		14
Protection category	II (all-insulated)						
Width (B1) mm	455		705		455		705
Mounting distance (B2) mm	400		650		400		650
Clip/magnet	400		650		400		650
Mounting distance (B3) mm	475		725		475		725
Connection cable	3 m (open end)						
Cover colour	Yellow	Grey	Yellow	Grey	Yellow	Yellow	
Rated current A	0.045 – 0.088		0.073 – 0.127		–		–
– at 230 V	0.083 – 0.149		0.149 – 0.216		–		–
– at 110 V	–		–		0.35		0.57
– at 24 V (DC)	–		–		–		–
Light	Fluorescent lamp T5						
Operating unit	Wide-range electronic ballast					Electronic ballast	
Circuit-breakers	Integral, on/off/door-operated switch mode						
Light cover	Transparent, grooved on the inside						
Cable deflector across rear	■	–	■	–	■	■	

¹⁾ Only for the North American market



Mounting kit magnet

For reliable adhesion on all sheet steel surfaces.

Packs of	Model No.
2 pc(s).	4140.000