

# Interior installation

## Mounting plates

### Mounting plates

#### for KL and KL-HD

For component installation outside of the enclosure. Assembly screws included as accessories with the enclosure.

#### Material:

- Sheet steel, 2 mm

#### Surface finish:

- Zinc-plated



#### Accessories:

- Self-tapping screws 2487.000, see page 625



#### Possible alternative:

- Support rails, see page 614

#### Technical details:

Available on the Internet

For size mm	For Model No. KL and KL-HD	Model No.
150 x 150	1500.510, 1514.510, 1521.010, 1527.010, 1670.600, 1671.600	<b>1560.700</b>
200 x 150	1528.510, 1529.510	<b>1575.700</b>
300 x 150	1501.510, 1515.510, 1522.010, 1530.510	<b>1561.700</b>
400 x 150	1589.510	<b>1576.700</b>
200 x 200	1502.510, 1516.510, 1523.010, 1528.010, 1672.600	<b>1562.700</b>
300 x 200	1503.510, 1517.510, 1524.010, 1529.010, 1531.510, 1674.600	<b>1563.700</b>
400 x 200	1504.510, 1518.510, 1525.010, 1532.510, 1675.600	<b>1564.700</b>
500 x 200	1505.510, 1533.510	<b>1565.700</b>
600 x 200	1506.510, 1519.510, 1534.510	<b>1566.700</b>
800 x 200	1527.510, 1542.510	<b>1574.700</b>
300 x 300	1507.510, 1526.010, 1535.510	<b>1567.700</b>
400 x 300	1508.510, 1530.010, 1536.510, 1676.600	<b>1568.700</b>
500 x 300	1509.510, 1537.510	<b>1569.700</b>
600 x 300	1510.510, 1538.510	<b>1570.700</b>
400 x 400	1511.510, 1539.510	<b>1571.700</b>
600 x 400	1512.510, 1540.510	<b>1572.700</b>
800 x 400	1513.510, 1541.510	<b>1573.700</b>

### Mounting plate

#### for TS, 400 mm wide

Depth-adjustable on a 25 mm pitch pattern.

#### Material:

- Sheet steel, 3 mm

#### Surface finish:

- Zinc-plated

#### Supply includes:

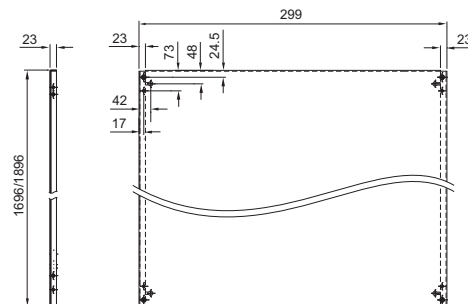
- Assembly parts



#### Accessories:

- TS 18 x 38 mm punched rail, used as mounting plate slide rail, see page 609
- TS width divider, for installation in wider enclosures, see page 523

For enclosure height mm	Model No.
1800	<b>8614.180</b>
2000	<b>8614.200</b>



### Mounting plate infill

#### for TS

For a continuous mounting surface in bayed suites where the mounting plate is set forward.

#### Material:

- Sheet steel, 2 mm

#### Surface finish:

- Zinc-plated

#### Supply includes:

- Assembly parts

For enclosure height mm	Model No.
1800	<b>4590.700</b>
2000	<b>4591.700</b>
2200	<b>4592.700</b>

