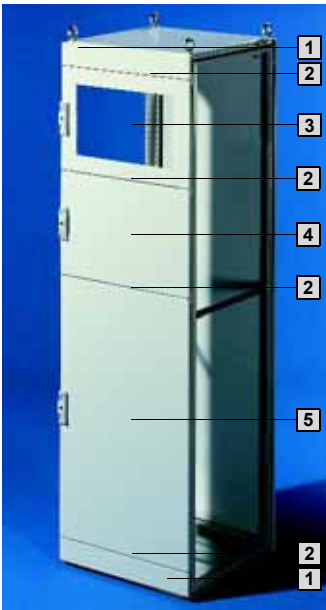


Modular front design for TS 8



Modular front design

for TS 8606.512,
WHD 600 x 2000 x 600 mm,
for TS 8806.512,
WHD 800 x 2000 x 600 mm
(see page 149)

and all other 600 and 800 mm wide TS 8 enclosures instead of a door or rear panel, insofar as the modular front is positioned in a suite between two enclosures with normal doors. If positioned as a free-standing enclosure or at the end of an enclosure suite, special side panels such as TS 8106.512 (see page 942) are required.

The partial doors with and without viewing panels can be arbitrarily combined with cross members. A trim panel and a cross member are each required at the top and bottom. The requirements for your individual front design and the considerations which must be taken into account are illustrated on the sample configuration opposite.

Protection category:

With a completed enclosure IP 55 to EN 60 529/09.2000, complies with NEMA 12.



Also required:

- 1 Trim panels, height 100 mm or trim panel, hinged at the top, height 300 mm
- 2 Cross member



Accessories:

- 3 Partial door with viewing window, height 400 mm
- 4 Partial door without viewing window, height 400 mm
- 5 Partial door without viewing window, height 1000 mm



1 Trim piece, hinged at the top for TS

For the installation of control and display components.

Material:

Sheet steel, 2 mm

Colour:

RAL 7035

Supply includes:

Hinges, cam locks with double-bit insert and assembly parts.

Note:

Not in combination with top-mounted module for TS (see page 971).



Width mm	Height mm	Model No. TS
600	300	8801.230
800	300	8801.240
1200	300	8801.250



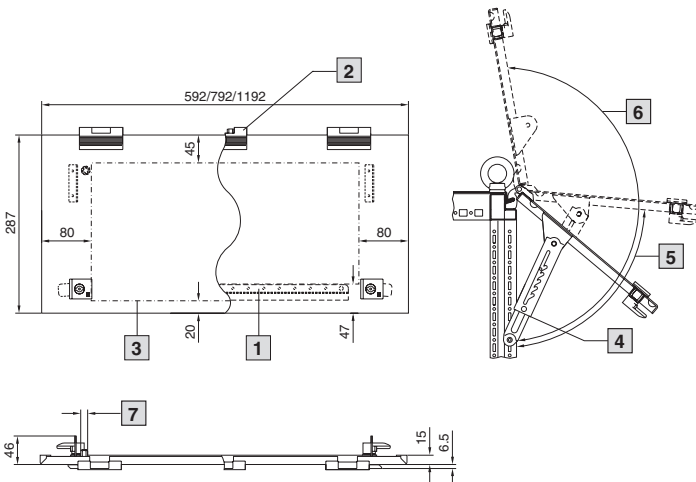
Accessories:

Support stay for trim piece, hinged at the top, see page 942.
Lock inserts, version A, see page 956.



Rittal service:

Combination with shortened door, enclosure with pre-fitted trim panel instead of door, cut-outs for operating and display components available on request.



- 1 Only for width 800 and 1200 mm
- 2 Only for width 1200 mm
- 3 Usable interior area
- 4 Optional: Stay TS 8801.260
- 5 Maximum opening with support stay approx. 85°
- 6 Maximum opening without support stay approx. 190°
- 7 Earthing bolt M8