



Support arm, height adjustable, compact

For small panels and TFTs with mounting cut-out

- VESA 75
- VESA 100 via adaptor plate CP 6510.010

Mounting bracket with

- Desk clamp for worktops up to 75 mm thick
- Hole pattern for support section CP-L horizontal or wall mounting

Almost any position is individually adjustable:

- Height-adjustable $+90^\circ$,
- Vertically hinged 350° ,
- VESA attachment, tiltable $\pm 90^\circ$,
- VESA attachment, vertically hinged $\pm 90^\circ$

Material:

Support arm:
Sheet steel, aluminium, RAL 7024

Panel mouldings:

Plastic, similar to RAL 7035
Optional adhesive design film, RAL 7024

Supply includes:

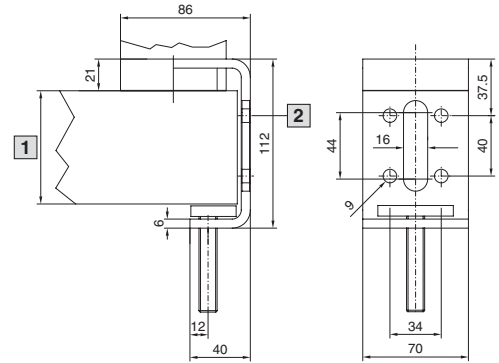
Assembly parts.

Weight range:

2.5 – 8.5 kg infinitely adjustable.



Jib length mm	Model No. CP
400	6510.110



1 Max. 75 mm

2 Support section CP-L may be mounted here

Adaptor plate

from VESA 75 to VESA 100

For mounting panels, enclosures and TFTs with VESA 100 connection on

- Support arm, height adjustable, compact, CP6510.110,
- Enclosure attachment, tilting, IW 6902.670, see page 243.

Material:

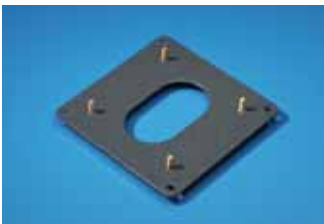
Sheet steel

Colour:

RAL 7024

Supply includes:

Assembly parts.



Packs of	Model No. CP
1	6510.010

