

# Wall-mounted enclosures EL, 3-part



**System accessories** Page 507 **Socket strips** Page 422 **Wall mounting bracket** Page 587 **Cable clamps** Page 666

Wall-mounted enclosure with optimum accessibility due to hinged part.

**Material:**

- Wall and hinged part: Sheet steel, 1.5 mm
- Viewing window: Single-pane safety glass, 3 mm

**Surface finish:**

- Powder-coated

**Colour:**

- Wall and hinged part: RAL 7035
- Glazed door: RAL 7035/7015 (slate grey)

**Protection category IP to IEC 60 529:**

- IP 55

**Supply includes:**

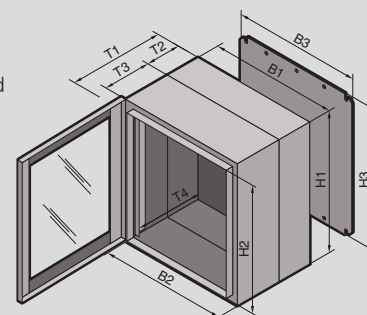
- Wall section
  - Hinged part with 25 mm pitch pattern of holes in the front and rear frame
  - Designer glazed door
- Please note the product-specific scope of supply.

**Approvals:**

- UL
- cUL

**Technical details:**

Available on the Internet



## with mounting plate and mounting angles, static installation

Units U	Packs of	3	3	6	6	9	9	12	Page
<b>Width (B1) mm</b>		600	600	600	600	600	600	600	
<b>Height (H1) mm</b>		212	212	345	345	478	478	612	
<b>Depth (T1) mm</b>		373	473	373	473	373	473	373	
Clearance width (B2) mm		502	502	502	502	502	502	502	
Clearance height (H2) mm		149	149	282	282	415	415	549	
Depth of wall section (T2) mm		135	135	135	135	135	135	135	
Depth of hinged part (T3) mm		216	316	216	316	216	316	216	
Max. installation depth (T4) mm		320	420	320	420	320	420	320	
Mounting plate width (B3) mm		485	485	485	485	485	485	485	
Mounting plate height (H3) mm		165	165	299	299	432	432	565	
Load capacity of hinged part (static) kg		15	15	30	30	45	45	60	
<b>Model No.</b>	1 pc(s).	<b>2243.605</b>	<b>2253.605</b>	<b>2246.605</b>	<b>2256.605</b>	<b>2249.605</b>	<b>2259.605</b>	<b>2252.605</b>	
<b>Product-specific scope of supply</b>									
Wall section: Gland plate, solid, top and bottom		■	■	■	■	■	■	■	
Wall section: Mounting plate supplied loose		■	■	■	■	■	■	■	
Hinged part with two 482.6 mm (19") mounting angles		■	■	■	■	■	■	■	
Mini-comfort handle		■	■	■	■	■	■	■	
Security lock 3524 E		■	■	■	■	■	■	■	
<b>Accessories</b>									
Gland plate with brush insert	1 pc(s).	7705.035	7705.035	7705.035	7705.035	7705.035	7705.035	7705.035	657
Gland plate for metric cable glands	1 pc(s).	7705.235	7705.235	7705.235	7705.235	7705.235	7705.235	7705.235	656
Wall mounting bracket		see page	see page	see page	see page	see page	see page	see page	587
Cable glands		from page	from page	from page	from page	from page	from page	from page	658
Component shelf 2 U, static installation	1 pc(s).	-	7119.250	-	7119.250	-	7119.250	-	631
Blanking plates, 482.6 mm (19")		-	-	see page	see page	see page	see page	see page	692
Lock systems		from page	from page	from page	from page	from page	from page	from page	560

# Wall-mounted enclosures EL, 3-part

with mounting plate and mounting angles, static installation

Units U	Packs of	12	15	15	21	21	Page
Width (B1) mm		600	600	600	600	600	
Height (H1) mm		612	746	746	1012	1012	
Depth (T1) mm		473	373	473	373	473	
Clearance width (B2) mm		502	502	502	502	502	
Clearance height (H2) mm		549	683	683	949	949	
Depth of wall section (T2) mm		135	135	135	135	135	
Depth of hinged part (T3) mm		316	216	316	216	316	
Max. installation depth (T4) mm		420	320	420	320	420	
Mounting plate width (B3) mm		485	485	485	485	485	
Mounting plate height (H3) mm		565	699	699	965	965	
Load capacity of hinged part (static) kg		60	75	75	75	75	
<b>Model No.</b>	1 pc(s).	<b>2262.605</b>	<b>2255.605</b>	<b>2265.605</b>	<b>2261.605</b>	<b>2271.605</b>	
<b>Product-specific scope of supply</b>							
Wall section: Gland plate, solid, top and bottom		■	■	■	■	■	
Wall section: Mounting plate supplied loose		■	■	■	■	■	
Hinged part with two 482.6 mm (19") mounting angles		■	■	■	■	■	
Mini-comfort handle		■	■	■	-	-	
Security lock 3524 E		■	■	■	■	■	
Comfort handle and 2-point locking		-	-	-	■	■	
<b>Accessories</b>							
Gland plate with brush insert	1 pc(s).	7705.035	7705.035	7705.035	7705.035	7705.035	657
Gland plate for metric cable glands	1 pc(s).	7705.235	7705.235	7705.235	7705.235	7705.235	656
Wall mounting bracket		see page	see page	see page	see page	see page	587
Cable glands		from page	from page	from page	from page	from page	658
Component shelf 2 U, static installation	1 pc(s).	7119.250	-	7119.250	-	7119.250	631
Blanking plates, 482.6 mm (19")		see page	see page	see page	see page	see page	692
Lock systems		from page	from page	from page	from page	from page	560

Accessories



Energy-Box,  
482.6 mm (19")

see page 425